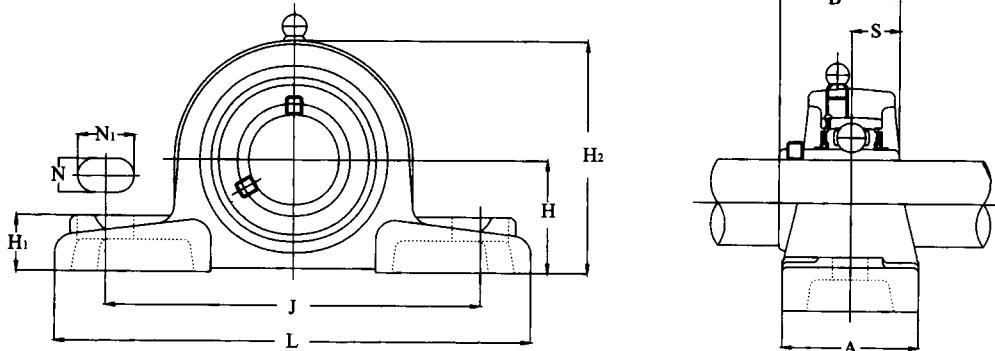
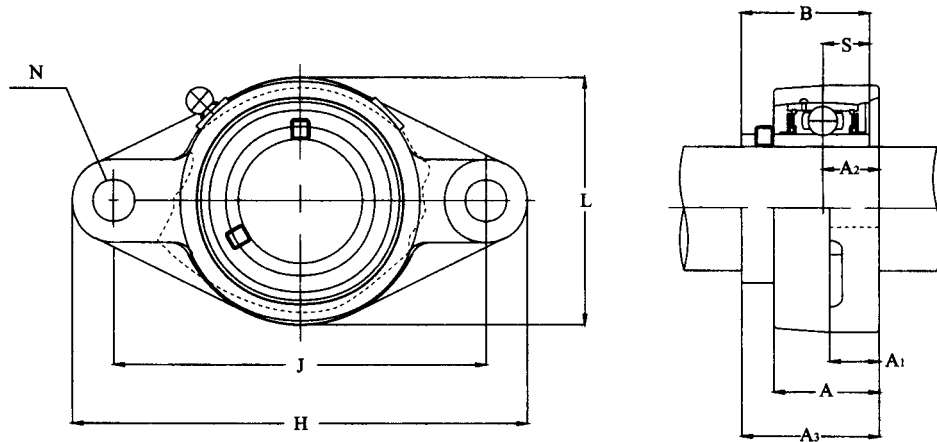


# PILLOW BLOCKS



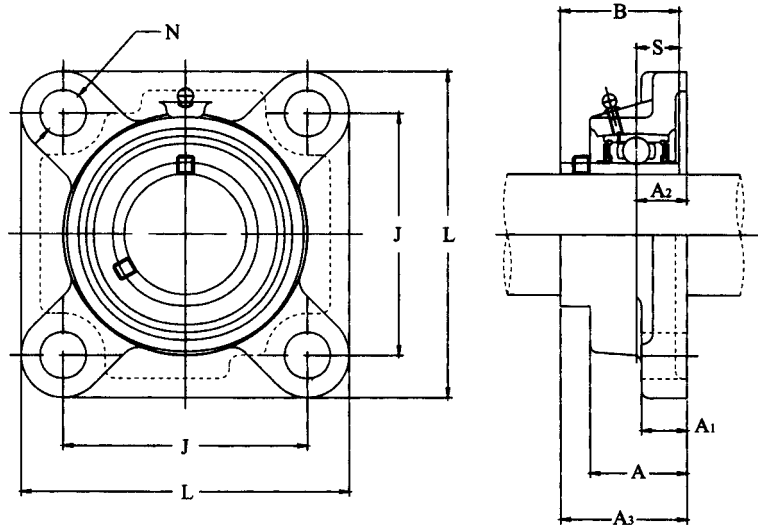
Shaft Diameter mm (in)	UNIT Number	Dimensions mm(in)										Weight kg (lb)
		L	A	J	H1	H	N	N1	H2	B	S	
12 0.4724	UCP201	127 5.000	38 1.496	95 3.740	15 0.591	30.20 1.189	13 0.512	19 0.749	62 2.441	31.00 1.220	12.70 0.500	0.70 1.544
15 0.5905	UCP202	127 5.000	38 1.496	95 3.740	15 0.591	30.20 1.189	13 0.512	19 0.749	62 2.441	31.00 1.220	12.70 0.500	0.69 1.521
17 0.6692	UCP203	127 5.000	38 1.496	95 3.740	15 0.591	30.20 1.189	13 0.512	19 0.749	62 2.441	31.00 1.220	12.70 0.500	0.69 1.521
20 0.4724	UCP204	127 5.000	38 1.496	95 3.740	15 0.591	33.20 1.311	13 0.512	19 0.749	65 2.559	31.00 1.220	12.70 0.500	0.68 1.499
25 0.9842	UCP205	140 5.512	38 1.496	105 4.134	16 0.630	36.50 1.437	13 0.512	19 0.749	70 2.756	34.10 1.339	14.30 0.563	0.82 1.808
	UCP305	175 6.890	45 1.772	132 5.197	16 0.630	45.00 1.772	17 0.669	20 0.787	83 3.268	38.00 1.496	15.00 0.591	1.32 2.911
30 1.1811	UCP206	165 6.496	48 1.890	121 4.764	18 0.709	42.90 1.689	17 0.669	21 0.827	83 3.268	38.10 1.500	15.90 0.626	1.36 2.999
	UCP306	180 7.087	50 1.969	140 5.512	19 0.748	50.00 1.969	17 0.669	20 0.787	94 3.701	43.00 1.693	17.00 0.669	1.82 4.013
35 1.3779	UCP207	167 6.575	48 1.890	127 5.000	19 0.748	47.60 1.874	17 0.669	21 0.827	94 3.701	42.90 1.689	17.50 0.689	1.73 3.815
	UCP307	210 8.268	56 2.205	160 6.299	21 0.827	56.00 2.205	17 0.669	25 0.984	105 4.134	48.00 1.890	19.00 0.748	2.50 5.513
40 1.5748	UCP208	184 7.244	54 2.126	137 5.394	19 0.748	49.20 1.937	17 0.669	23 0.906	100 3.937	49.20 1.937	19.00 0.748	2.10 4.631
	UCP308	220 8.661	60 2.362	170 6.693	23 0.906	60.00 2.362	17 0.669	27 1.063	116 4.567	52.00 2.047	19.00 0.748	3.20 7.056
45 1.7716	UCP209	190 7.480	54 2.126	146 5.748	20 0.787	54.00 2.126	17 0.669	23 0.906	108 4.252	49.20 1.937	19.00 0.748	2.20 4.851
	UCP309	245 9.646	67 2.638	190 7.480	25 0.984	67.00 2.638	20 0.787	30 1.81	128 5.039	57.00 2.244	22.20 0.874	4.30 9.482
50 1.9685	UCP210	206 8.110	60 2.362	159 6.260	22 0.866	57.20 2.252	20 0.787	25 0.984	114 4.488	51.60 2.031	19.00 0.748	2.70 5.954
	UCP310	275 10.827	75 2.953	212 8.346	28 1.102	75.00 2.953	20 0.787	35 1.378	143 5.630	61.00 2.402	22.00 0.866	5.80 12.789
55 2.1653	UCP211	219 8.622	60 2.362	171 6.732	22 0.866	63.50 2.500	20 0.787	25 0.984	126 4.961	55.60 2.189	22.20 0.874	3.40 7.497
	UCP311	310 12.205	80 3.150	236 9.291	31 1.220	80.00 3.150	20 0.787	38 1.496	154 6.063	66.00 2.598	25.00 0.984	7.40 16.317
60 2.3622	UCP212	241 9.488	70 2.756	184 7.244	25 0.984	69.80 2.748	20 0.787	25 0.98	138 5.433	65.10 2.563	25.40 1.000	4.80 10.584
	UCP312	330 12.992	85 3.346	250 9.843	33 1.299	85.00 3.346	25 0.984	38 1.496	165 6.496	71.00 2.795	26.00 1.024	9.00 19.845
65 2.5590	UCP213	265 10.433	70 2.756	203 7.992	27 1.063	76.20 3.000	25 0.984	29 1.142	150 5.906	65.10 2.563	25.40 1.000	5.70 12.569
	UCP313	340 13.386	90 3.543	260 10.236	36 1.417	90.00 3.543	25 0.984	38 1.496	174 6.850	75.00 2.953	30.00 1.181	10.20 22.491
70 2.7559	UCP214	266 8.661	72 2.862	210 6.693	27 0.906	79.40 2.362	25 0.669	31 1.063	156 4.567	74.60 2.947	30.20 0.748	6.40 7.056
	UCP314	360 14.173	90 3.543	280 11.024	40 1.575	95.00 3.740	27 1.063	40 1.575	186 46.693	78.00 3.071	33.00 1.299	12.40 27.342
75 2.9527	UCP215	275 14.764	74 2.913	217 8.543	28 1.102	82.60 3.252	25 0.984	31 1.220	163 6.417	77.80 3.063	33.30 1.311	7.20 15.876
	UCP315	380 14.961	100 3.937	290 11.417	40 1.575	100.00 3.97	27 1.063	40 1.575	197 7.756	82.00 3.228	32.00 1.260	14.60 32.193
80 3.1496	UCP216	292 11.496	78 3.071	232 9.134	30 1.181	88.90 3.500	25 0.984	31 1.220	175 6.890	82.60 3.252	33.30 1.311	8.70 19.184
	UCP316	400 15.748	110 4.331	300 11.811	45 1.772	106.00 4.173	27 1.063	40 1.575	209 8.228	86.00 3.386	34.00 1.339	18.10 39.911
85 3.3464	UCP217	310 12.205	83 3.268	247 9.724	32 1.260	95.20 3.748	25 0.984	31 1.220	187 7.362	85.70 3.374	34.10 1.343	11.00 24.255
	UCP317	420 16.535	110 4.370	320 12.598	45 1.772	112.00 4.409	33 1.299	45 1.772	221 8.701	96.00 3.780	40.00 1.575	21.00 46.305
90 3.5433	UCP218	327 12.874	88 3.465	262 10.315	34 1.339	101.60 4.000	27 1.063	33 1.299	200 7.874	96.00 3.780	39.70 1.563	13.30 29.327
	UCP318	430 16.929	110 4.331	330 12.992	50 1.969	118.00 4.646	33 1.299	45 1.772	233 9.173	96.00 3.780	40.00 1.575	23.00 50.715

# OVAL FLANGER UNITS



Shaft Diameter mm (in)	UNIT Number	Dimensions mm(in)										Weight kg (lb)
		H	L	A	J	A1	A2	N	A3	B	S	
12 0.4724	UCFL201	113 4.449	60 2.362	25.5 1.004	90 3.543	12 0.472	15 0.591	12 0.472	33.3 1.311	31.0 1.220	12.7 0.500	0.51 1.125
15 0.5905	UCFL202	113 4.449	60 2.362	25.5 1.004	90 3.543	12 0.472	15 0.591	12 0.472	33.3 1.311	31.0 1.220	12.7 0.500	0.49 1.080
17 0.6692	UCFL203	113 4.449	60 2.362	25.5 1.004	90 3.543	12 0.472	15 0.591	12 0.472	33.3 1.311	31.0 1.220	12.7 0.500	0.48 1.058
20 0.4724	UCFL204	113 4.449	60 2.362	25.5 1.004	90 3.543	12 0.472	15 0.591	12 0.472	33.3 1.311	31.0 1.220	12.7 0.500	0.46 1.014
25 0.9842	UCFL205	130 5.118	68 2.677	27.0 1.063	99 3.898	14 0.551	16 0.630	16 0.630	35.7 1.406	34.0 1.339	14.3 0.563	0.63 1.389
30 1.1811	UCFL206	148 5.827	80 3.150	31.0 1.220	117 4.606	14 0.551	18 0.709	16 0.630	40.2 1.583	38.1 1.500	15.9 0.626	0.95 2.095
35 1.3779	UCFL207	161 6.339	90 3.543	34.0 1.339	130 5.118	16 0.630	19 0.748	16 0.630	44.4 1.748	42.9 1.689	17.5 0.689	1.31 2.889
40 1.5748	UCFL208	175 6.890	100 3.937	36.0 1.417	144 5.669	16 0.630	21 0.827	16 0.630	51.2 2.016	49.2 1.937	19.0 0.748	1.69 3.726
45 1.7716	UCFL209	188 7.402	108 4.252	38.0 1.496	148 5.827	18 0.709	22 0.866	19 0.748	52.2 2.055	49.2 1.937	19.0 0.748	2.10 4.631
50 1.9685	UCFL210	197 7.756	115 4.528	40.0 1.575	157 6.181	18 0.709	22 0.866	19 0.748	54.6 2.150	51.6 2.031	19.0 0.748	2.40 5.292
55 2.1653	UCFL211	224 8.819	130 5.118	43.0 1.693	184 7.244	20 0.787	25 0.984	19 0.748	58.4 2.299	55.6 2.189	22.2 0.874	3.40 7.497
60 2.3622	UCFL212	250 9.843	140 5.512	48.0 1.890	202 7.953	20 0.787	29 1.142	23 0.906	68.7 2.705	65.1 2.563	25.4 1.000	4.30 9.482
65 2.5590	UCFL213	258 10.157	155 6.102	50.5 1.969	210 8.268	24 0.945	30 1.181	23 0.906	69.7 2.744	65.1 2.563	25.4 1.000	5.40 11.907
70 2.7559	UCFL214	265 10.433	160 6.299	54.0 2.126	216 8.504	24 0.945	31 1.220	23 0.906	75.4 2.969	74.6 2.937	30.2 1.189	6.30 13.892
75 2.9527	UCFL215	275 10.827	165 6.496	56.0 2.205	225 8.858	24 0.945	34 1.339	23 0.906	78.5 3.091	77.8 3.063	33.3 1.311	6.90 15.215
80 3.1496	UCFL216	290 11.417	180 7.087	58.0 2.283	233 9.173	24 0.945	34 1.339	25 0.984	83.3 3.280	82.6 3.252	33.3 1.311	8.40 18.522
85 3.3464	UCFL217	305 12.008	190 7.480	63.0 2.480	248 9.764	26 1.024	36 1.417	25 0.984	87.6 3.449	85.7 3.374	34.1 1.343	9.90 21.830
90 3.5433	UCFL218	320 12.598	205 8.071	68.0 2.677	265 10.433	26 1.024	40 1.575	25 0.984	96.3 3.791	96.0 3.780	39.7 1.563	12.40 27.342

# SQUARE FLANGER UNITS



Shaft Diameter mm (in)	UNIT Number	Dimensions mm(in)									Weight kg (lb)
		L	A	J	A1	A2	N	A3	B	S	
12 0.4724	UCF201	86 3.386	25.5 1.004	64 2.520	12 0.472	15 0.591	12 0.472	33.3 1.311	31.0 1.220	12.7 0.500	0.67 1.477
15 0.5905	UCF202	86 3.386	25.5 1.004	64 2.520	12 0.472	15 0.591	12 0.472	33.3 1.311	31.0 1.220	12.7 0.500	0.66 1.455
17 0.6692	UCF203	86 3.386	25.5 1.004	64 2.520	12 0.472	15 0.591	12 0.472	33.3 1.311	31.0 1.220	12.7 0.500	0.64 1.411
20 0.4724	UCF204	86 3.386	25.5 1.004	64 2.520	12 0.472	15 0.591	12 0.472	33.3 1.311	31.0 1.220	12.7 0.500	0.62 1.367
25 0.9842	UCF205	95 3.740	27.0 1.063	70 2.756	14 0.551	16 0.630	12 0.472	35.7 1.406	34.1 1.343	14.3 0.563	0.83 1.830
30 1.1811	UCF206	108 4.252	31.0 1.220	83 3.268	14 0.551	18 0.709	12 0.472	40.2 1.583	38.1 1.500	15.9 0.626	1.14 2.514
35 1.3779	UCF207	117 4.606	34.0 1.339	92 3.622	16 0.630	19 0.748	14 0.551	44.4 1.748	42.9 1.689	17.5 0.689	1.47 3.241
40 1.5748	UCF208	130 5.118	36.0 1.417	102 4.016	16 0.630	21 0.827	16 0.630	51.2 2.016	49.2 1.937	19.0 0.748	2.00 4.410
45 1.7716	UCF209	137 5.394	38.0 1.496	105 4.134	18 0.709	22 0.866	16 0.630	52.2 2.055	49.2 1.937	19.0 0.748	2.40 5.292
50 1.9685	UCF210	143 5.630	40.0 1.575	111 4.370	18 0.709	22 0.866	16 0.630	54.6 2.150	51.6 2.031	19.0 0.748	2.60 5.733
55 2.1653	UCF211	162 6.378	43.0 1.693	130 5.118	20 0.787	25 0.984	19 0.748	58.4 2.299	55.6 2.189	22.2 0.874	3.60 7.938
60 2.3622	UCF212	175 6.890	48.0 1.890	143 5.630	20 0.787	29 1.142	19 0.748	68.7 2.705	65.1 2.563	25.4 1.000	4.80 10.584
65 2.5590	UCF213	187 7.362	50.0 1.969	149 5.866	20 0.787	30 1.181	19 0.748	69.7 2.744	65.1 2.563	25.4 1.000	5.80 12.789
70 2.7559	UCF214	193 7.598	54.0 2.126	152 5.984	24 0.945	31 1.220	19 0.748	75.4 2.969	74.6 2.937	30.2 1.189	6.60 14.553
75 2.9527	UCF215	200 7.874	56.0 2.205	159 6.260	24 0.945	34 1.339	19 0.748	78.5 3.091	77.8 3.063	33.3 1.311	7.70 16.979
80 3.1496	UCF216	208 8.189	58.0 2.283	165 6.496	24 0.945	34 1.339	23 0.906	83.3 3.280	82.6 3.252	33.3 1.311	8.20 18.081
85 3.3464	UCF217	220 8.661	63.0 2.480	175 6.890	26 1.024	36 1.417	23 0.906	87.6 3.449	85.7 3.374	34.1 1.343	9.60 21.168
90 3.5433	UCF218	235 9.252	68.0 2.677	187 7.362	26 1.024	40 1.575	23 0.906	96.3 3.791	96.0 3.780	39.7 1.563	12.10 26.681